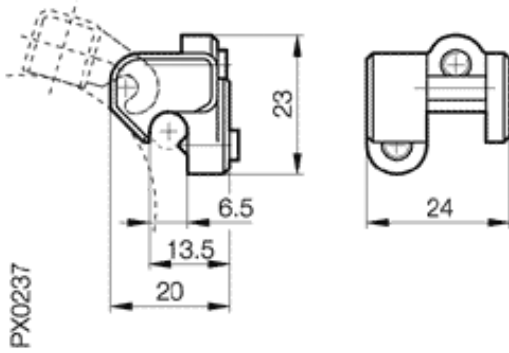


Accessories: Mounting unit BMF 21-HW-8



Common Data

Version
Usable with

Bracket
on BMF21K... on pneumatic
cylinder with tie rods $\bar{1}$ 4.3 bis
 $\bar{1}$ 6.5mm

Mechanical Data

Measurements WxHxD or Dia x D
Material
Weight
Mounting

24x20x23.5
GD-AISI 12 (Cu), anodized
11
clamped with threaded pin

Datasheet number::

Definitions see general catalog.
If not otherwise noted, ratings according to
IEC 60947-5-2 (DIN EN60947-5-2)

Balluff GmbH
Schurwaldstrasse 9
73765 Neuhausen a.d.F.
Phone (07158) 173-0 Fax (07158) 5010

Datenblatt by CD-ROM - 04/2007

BALLUFF
sensors worldwide